



HB15(GLE) LED HIGH BAY LIGHT

www.seekingled.com



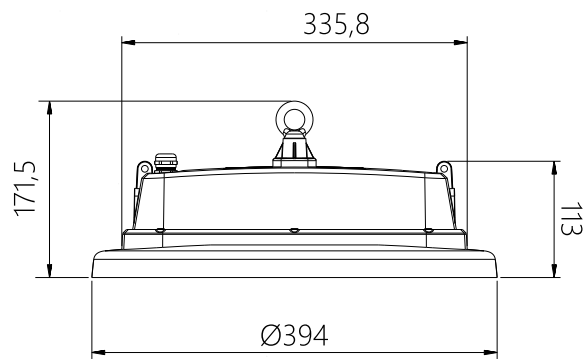
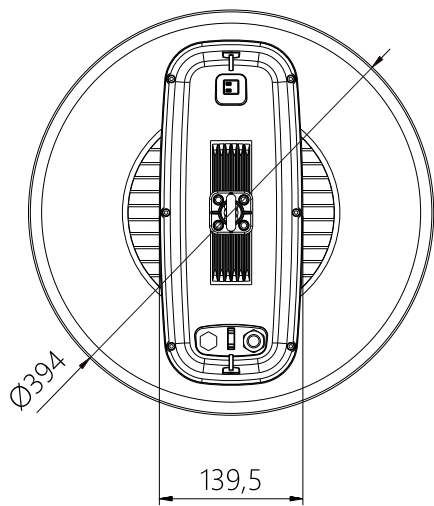
UGR < 19 CIE190:2010

HB15(GLE) high bay light provides a solution for Indoor sports venues, airport waiting rooms, car sales centers, large supermarkets, exhibition centers. Low glare design, glare value UGR<19 (CIE190:2010). Protection level up to IK09 and IP69K. Constant Current Power Driver, L80B20 can reach more than 100,000 hours.

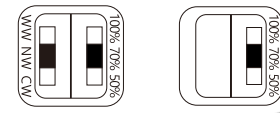




Dimension



Power&color regulation / Power regulation



Parameter

Model NO.	Power (W)	Luminous Flux 170lm/W
XJ-GLE80W	80	13600
XJ-GLE100W	100	17000
XJ-GLE150W	150	25500
XJ-GLE200W	200	34000
XJ-GLE240W	240	40800

Above lumens based on 4000K Ra:80

AC Input : 100-277V 50/60Hz
 Brand of LED Driver : MEANWELL / MOSO
 Light Source : 2835
 CRI Range : Ra>80
 CCT Range : NW(4000K) CW(5700K)
 WW(3000K)(Optional) DW(5000K)(Optional)
 Light Efficiency : 170±5% Lm/W
 Beam Angle : 90°
 Housing : Aluminum Alloy
 Waterproof : IP69K & IK09
 L80B20@25°C : >100000H
 PF:≥0.95 THD<15% Power Efficiency:≥0.9
 Certifications: TUV, CE, CB, ETL, FCC, SAA
 Warranty : 5 Years

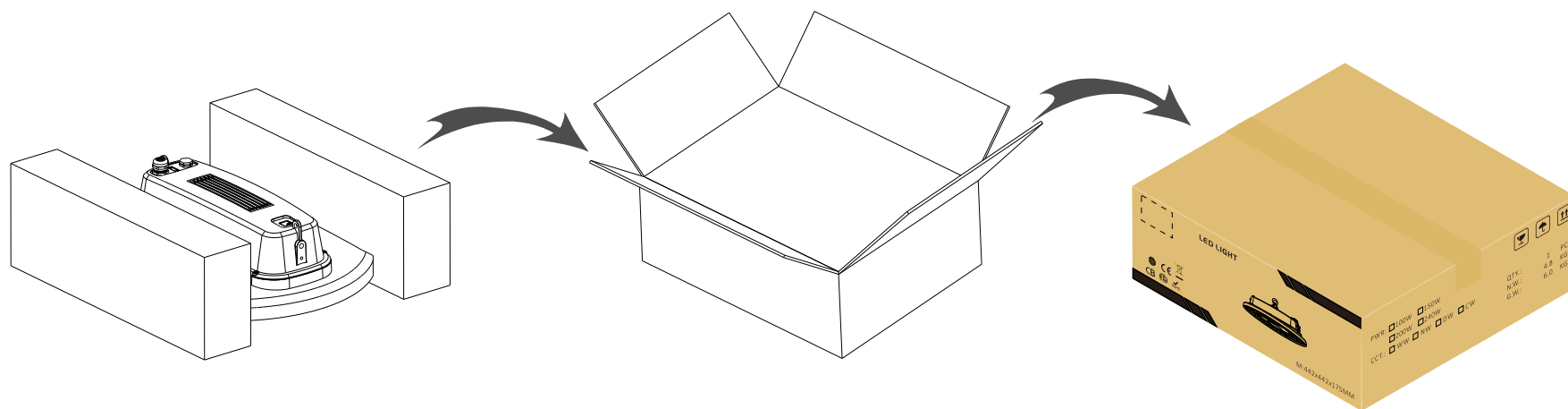
Light distribution curve



90°



Package

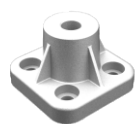


Model	Qty.	N.W.(kg)	G.W.(kg)	Meas(mm)
XJ-GLE*	1Pc/ctn	4.8	6.0	442x442x175

Mounting accessories



A08



A09



A10



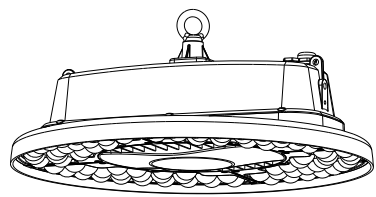
A11



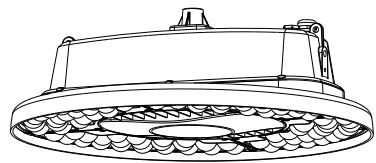
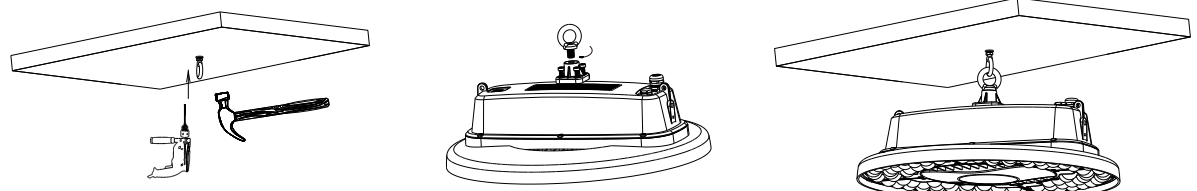
A14

accessories	image	material	dimensions	weight	accessory use
Optional	A08	SUS304	∅2.0x1000mm	0.04kg	Suspension installation
Optional	A09	ADC12	M10	0.05kg	Hanging pipe installation
Optional	A10	carbon steel	76.5x25x115mm	0.15kg	Steel wire installation
Optional	A11	carbon steel	318x133x32mm	0.38kg	Bracket installation
Optional	A14	carbon steel	M10	0.06kg	Suspension installation

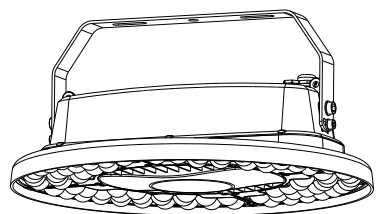
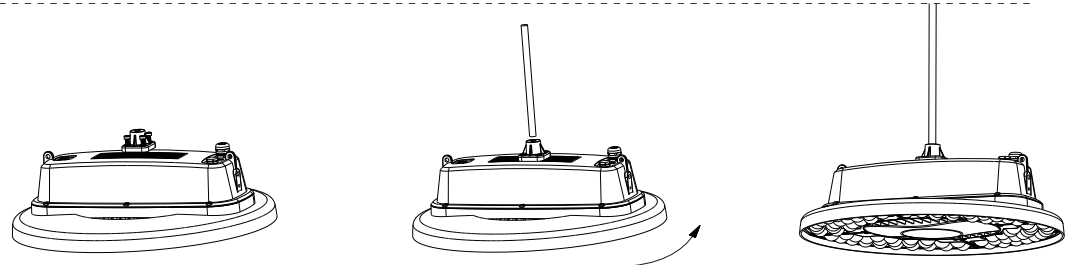
Installation



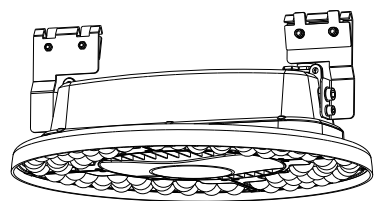
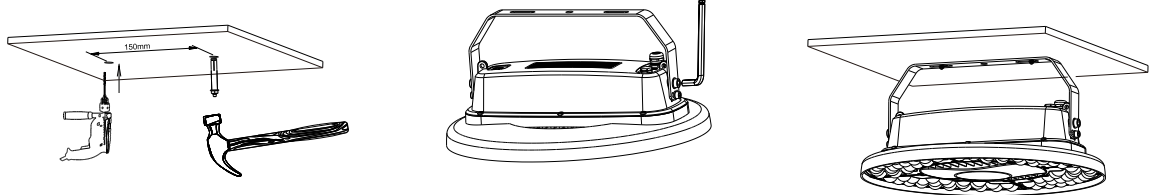
Form1



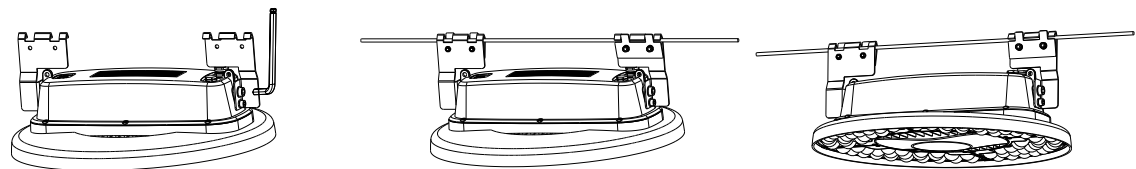
Form2



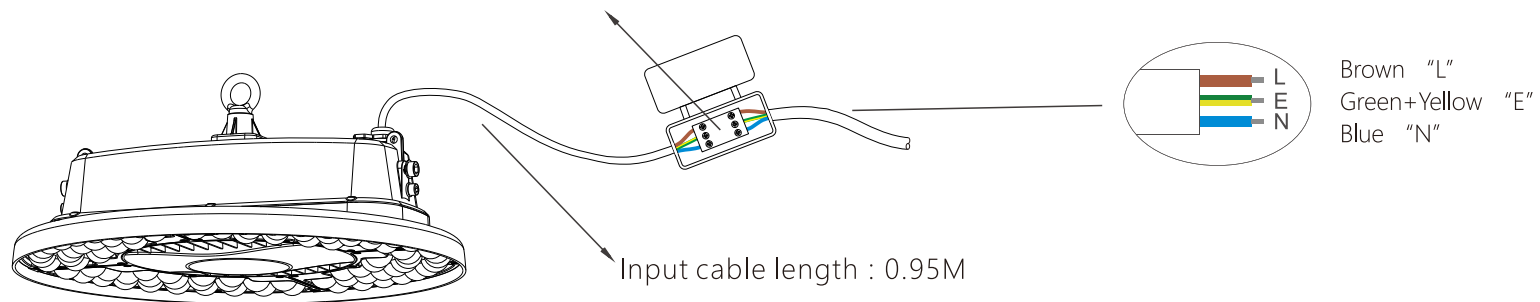
Form3



Form4



- 1. Junction Box (User Provide)
- 2. Wiring Terminal (User Provide)



Note : Please make sure the power off before operation, Installation must be performed by skilled electrician who are familiar with the requirements and proper installation methods of LED luminaire. In order to avoid damage or hazard; The external flexible cable or cord of this luminaire can not be replaced, if the cord is damaged, the luminaire must be destroyed. The light source contained in this luminaire shall only be replaced by a qualified person.